

**YETI DJ**  
**OWNER'S MANUAL**  
Assembly Instructions, Shock Setup, Cable Routing, Etc.



**YETI CYCLES**  
600 Corporate Circle, Unit D  
Golden, CO  
USA  
p.303-278-6909 / 888-576-9384  
[www.yeticycles.com](http://www.yeticycles.com)

# Table of Contents

Brand Overview	4
Frame Features	6
Geometry	8
Maintenance Schedule	10
Bike Setup	
› Cable Routing	12
› Guide Setup	14
Warranty	16
Contact Information	17

# Overview

## WELCOME TO THE TRIBE

Congratulations on your purchase of a new Yeti bicycle and welcome to the Yeti Tribe. We are confident your new bicycle will exceed your expectations for value, performance, and ride quality. Each frameset and component has been custom specified and designed to enhance your riding experience. Whether you are a beginner cyclist, or a seasoned pro, Yeti bicycles will provide endless hours of two-wheeled fun

## GENERAL INFORMATION

This model specific manual is designed to be used in conjunction with the general Yeti owner's manual and the manuals supplied by the suspension manufacturers. If you did not receive the Yeti owner's manual or the manual provided by the suspension manufacturer download the materials off the Internet, or contact your dealer.

Bicycling can be a hazardous activity even under the best of circumstances. Proper maintenance of your bicycle is your responsibility as it helps reduce the risk of injury and damage to your bicycle. This manual outlines basic setup and maintenance recommendations of your Yeti AS-R 575. Following these setup instructions and recommendations will provide you a general starting point to hit the trails. Because it is impossible to anticipate every situation or condition that may occur during the

assembly, setup, and maintenance of your bicycle Yeti recommends that all service and repairs be performed by an authorized Yeti Dealer.

This manual contains many "Warnings" and "Cautions" concerning the consequences of failure to maintain or inspect your bicycle. The combination of the safety alert symbol and the word "Warning" indicates a potentially hazardous situation in which, if not avoided, could result in serious injury or death. The combination of the safety alert symbol and the word "Caution" indicates a potentially hazardous situation in which, if not avoided may result in minor injuries or damage to your bicycle or a component of your bicycle. Be sure to read and understand all of the Warnings and Cautions.



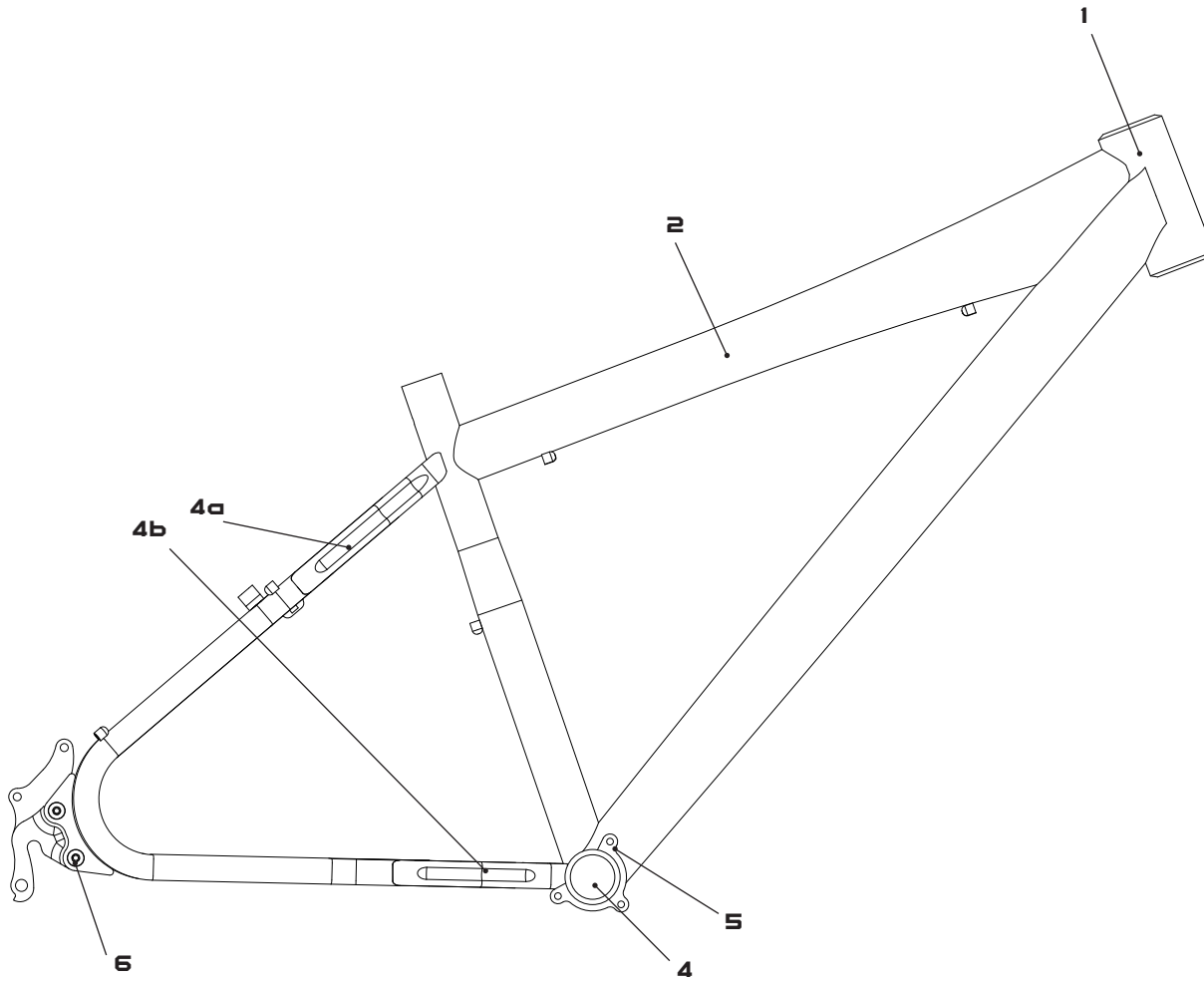
**Warning:** Make sure you review and understand the warnings, instructions, and content of this manual and accompany manuals for your bicycle.



**Warning:** Technological advances have made bicycles and bicycle components more complex, and the pace of innovation is increasing. It is impossible for this manual or the accompanying manuals to provide all the information required to properly repair and/or maintain your bicycle. In order to help minimize the chances of an injury, it is critical for you to have work performed by an authorized Yeti retailer.

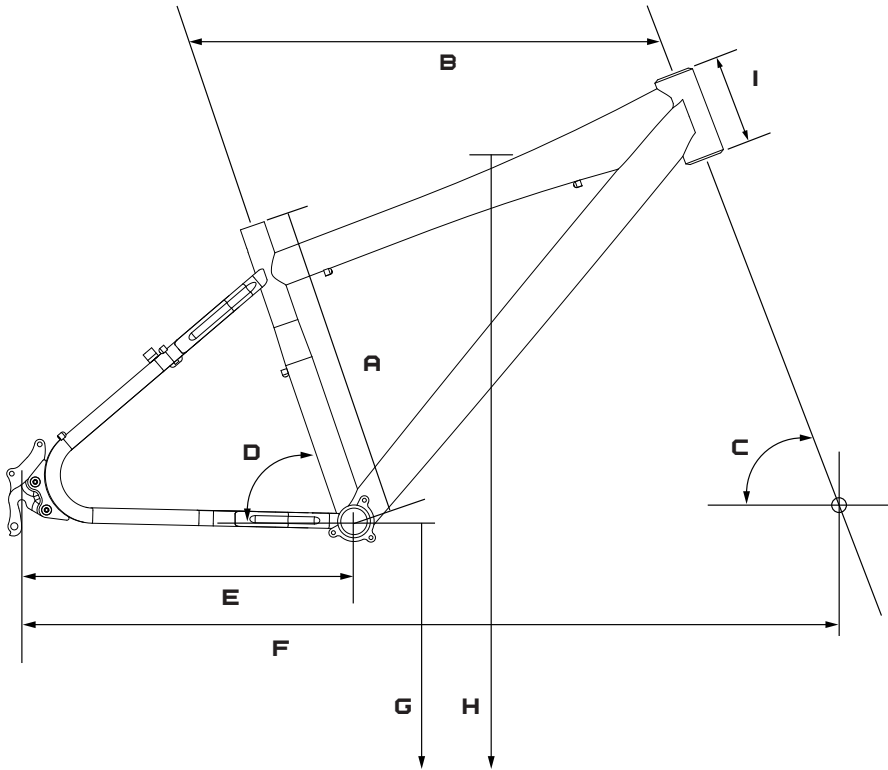


# Frame Features



- 1. HEADTUBE**  
Extra thickness has been added to headtube to prevent wallowing out. Same thicknesses our 303 DH.
- 2. PURE TUBING**  
Yeti Pure tubing is custom butted and tapered to make a lightweight and strong frame without the use of gussets. Unique shape provides added strength at the head tube junctions.
- 3. BOTTOM BRACKET**  
73mm shell, for use with a 113mm spindle
- 4. SEATSTAY (A) + CHAINSTAY (B)**  
CNC machined seatstay and chainstay yokes add stiffness and allows the use of large volume tires.
- 5. ISCG MOUNTS**  
ISCG tabs are machined into the bottom bracket. This is far superior to flimsy welded tabs. These ISCG tabs allow a chain guide to be bolted directly to the frame, which eliminates the twist and shift of the guide.
- 6. DROPOUTS**  
Unique dropouts are easy to replace in case they are damaged. Two bolts attach the dropouts to the frame for easy removal.

# Geometry



## GEOMETRY 575

### 100 MM FORK

	A	B	C	D	E	F	G	H	I
<b>S</b>	15.25	22.0	69.0	71.0	16.5	42.3	12.25	28.5	4.50
<b>L</b>	15.25	23.5	69.0	71.0	16.5	43.8	12.25	28.5	4.50

\*All measurements are in inches

# Maintenance



**MAINTENANCE?** If you are having trouble with any of the maintenance tasks that need to be performed contact your local dealer or visit [www.parktool.com](http://www.parktool.com) and check out the repair help section. This section contains detailed instruction on many of the service items listed in the maintenance schedule.

**MAINTENANCE** YETI has outlined below the service and maintenance that can and should be performed by the owner and requires no special tools. Following these guidelines will help maintain the performance of your bicycle and prevent more serious problems from arising. This guide is by no means an absolute rule which to follow. Common sense should be practiced and if an issue surfaces before the maintenance schedule interval, visit an authorized dealer for inspection and or maintenance.

ACTION	WEEKLY	MONTHLY	3 MONTHS	ANNUALLY
Clean and Lube Chain	x			
Check tire pressure	x			
Clean bike of mud and debris (never spray water directly into frame or components)	x			
Check brake function	x			
Check shock pressure, if applicable	x			
Check for loose bolts and tighten if necessary		x		
Check headset and tighten/loosen if necessary		x		
Thoroughly clean pivot points with a rag (do not lubricate)		x		
Replace brake pads if necessary			x	
Check tires for wear			x	
Check spoke tension, and retention if necessary			x	
Check chain for worn, damaged, or loose links. Replace chain if necessary			x	
Complete tune-up performed by an authorized YETI dealer				x

**TORQUE** YETI has outlined a brief list of torque specifications for bolts and components that may need to be tightened while performing basic maintenance. This is by no means a comprehensive list, just a guide. If a bolt or component needs to be tightened that is not encompassed by this list, refer to the specific manufactures torque specification guide.

## TORQUE SPECS

Pivot Bolts	125 - 150
Derailleur Hanger Bolts	30 - 45
Handlebar Binder Bolt	150 - 180
Stem Binder Bolt	175 - 260
Seatpost Binder Bolt	150 - 180
Saddle Clamp Bolts	175 - 250
Rear Derailleur	70 - 86
Front Derailleur Clamp	45 - 60
Chainring Bolts	88 - 132



**Caution:** The torque specifications listed should be used as a guide when performing maintenance. Technological advances have made bicycles and bicycle components more complex, and the pace of innovation is increasing. Because of these advances, YETI recommends that you refer to the torque specifications of the manufactures component you are adjusting. In order to help minimize the chances of an injury, do not perform any maintenance that you are not confident can be completed within your abilities.

# Line Setup

575 has full cable housing. Putting full cable housing helps prevent corrosion from the elements and thus keeps the shifting smoother for a longer period of time.



**Caution:** The failure to properly routing shifter housing can cause malfunction of the shift mechanism and unexpected shifting of gears.

1

**REAR DERAILLEUR** Take a piece of shifter cable and fit it from the rear shifter across the head tube into the outermost cable stop.



2

**REAR DERAILLEUR** The second piece of rear derailleur housing runs under the top tube from the outermost cable stop, across the seat tube and over the drive side seatstay. The third and final piece of shift housing runs in a conventional manner from the cable stop on the seatstay to the rear derailleur.



3

**REAR BRAKE** The rear brake loops across the head tube and fits into the middle cable stop on the under side of the downtube. The rear brake line follows the underside of the top tube then connects to the open cable stop on the bottom of the seatstay. The line then crosses to the inside of the seatstay and down to the caliper body. 🇪🇺



**HOUSING END CAPS** Yeti recommends using metal end caps. The metal caps do not allow the cable to pull through as do the plastic versions. Do not mix up the shift and brake housing because it will result in a loss in performance.





# Chainguide Setup



We strive to make the best bikes in the world, because of this dedication to be the best, we continually make changes to our bikes as needed. As the bikes are improved, assembly and setup instructions may be affected. Any amendments to the existing Owners Manual can be found on our website. [www.yeticycles.com](http://www.yeticycles.com)

**SETUP OVERVIEW** The setup instructions below are only valid for a MRP chainguide and Raceface Evolve DH cranks, for all other setups see the manufactures installation instructions. The MRP chainguide and Raceface Evolve DH cranks are included in the DJ parts kit.

- 1 SPACER SETUP** On the drive side sandwich one bottom bracket spacer between the frame and the threaded cup.



- 2 GUIDE POSITION** Slide both the top guides and the bottom guides to the outer most position on the boomerang, and snug the bolts. The lock ring washers go between the head of the bolt and the boomerang and the thin flat washers are sandwiched between the guides and the boomerang.



- 3 GUIDE POSITION** Attach the boomerang to the ICMS mounts using the flat head socket cap screws. The boomerang should be rotated so the top arm of the boomerang is in line with the DJ seatube. You do not need any washers between the frame and the boomerang for spacing.



- 4 SPACER SETUP** On non drive side install the threaded cup. On the crank arm with the attached spindle install two white spacers and one black spacer. Then lube the spindle and tap it into the threaded cups.



- 5 SPACER SETUP** Once you have the spindle through both cups place one black spacer, two white spacers, and one red spacer on the spindle. Then attach the chainring and bashguard to the drive side crank arm. Lube the splines and install the drive side crank arm to the spindle.



- 6 SPACING CHECK** Once the drive side crank arm is securely fastened, check the spacing. The boomerang rollers should be centered over the chain and there should be the same spacing between the boomerang guides and chain as there between the bashguard and chain.



- 7 FUNCTION CHECK** Now that the setup is complete spin the cranks to check the function of the chainguide. The rollers should move freely and the chainline should be straight when shifted to the middle cog on the cassette. 🇪🇺





# Warranty

## **YETI LIMITED (2) TWO YEAR FRAME WARRANTY** (applies to 303, DH-9, AS-X, 4X, DJ)

Yeti Cycles will repair or replace, at its option, any frame it determines to be defective due to defective materials and/or workmanship. The (2) two year limited warranty is conditioned upon the bicycle being ridden under normal conditions and having been properly maintained. This warranty does not apply to the components attached to the frameset such as suspension components, wheels, drive train, brakes, seatpost, handlebar and stem. This warranty applies only to the original owner and is non-transferable. This warranty is void if the bicycle was not properly assembled by an authorized Yeti dealer.

## **YETI LIMITED (5) FIVE YEAR FRAME WARRANTY** (applies to AS-R-sl, AS-R, 575, ARC, FR0, Kokopelli)

Yeti Cycles will repair or replace, at its option, any frame it determines to be defective due to defective materials and/or workmanship. The (5) five year limited warranty is conditioned upon the bicycle being ridden under normal conditions and having been properly maintained. This warranty does not apply to the components attached to the frameset such as suspension components, wheels, drive train, brakes, seatpost, handlebar and stem. This warranty applies only to the original owner and is non-transferable. This warranty is void if the bicycle was not properly assembled by an authorized Yeti dealer.

## **ADDITIONAL CONDITIONS**

These limited warranties do not apply to normal wear and tear, nor to claimed defects, malfunctions or failures that result from abuse, neglect, improper assembly, improper maintenance, alteration, collision, crash or misuse. The original owner shall pay all labor charges connected with the repair or removal of all components. Under no circumstance does this limited warranty include the cost of travel or shipment to and from an authorized Yeti dealer. In order to exercise your rights under these limited warranties, the bicycle or frameset must be presented to an authorized Yeti dealer, together with proof of purchase.

- › The above warranties have been in effect since January 2000. All Yeti frames sold prior to that date had a limited (1) one year warranty on the frameset.
- › No Fault Replacement Policy
- › Yeti Cycles will make replacement parts available at a minimum charge to the original owner in the event of a crash or any other non-warranty situation. Yeti Cycles does this at its sole discretion and reserves the right to refuse this offer.
- › If you have a warranty concern, please contact your authorized Yeti dealer.

## **NO FAULT REPLACEMENT POLICY**

Yeti Cycles will make replacement parts available at a minimum charge to the original owner in the event of a crash or any other non-warranty situation. Yeti Cycles does this at its sole discretion and reserves the right to refuse this offer. If you have a warranty concern, please contact your authorized Yeti dealer.

## **PRODUCT LIFE CYCLE**

Every YETI frameset has a useful product life cycle. The length of that useful product life cycle will vary depending on the construction and the materials of the frameset, maintenance and care the frameset receives, and the amount and type of use the frameset is subjected to over its life. YETI recommends that an authorized YETI dealer should inspect the frame for stress annually. Frame stress could cause potential failure and the signs are usually apparent in the form of cracks, fracture lines, deformation, dents, and any other visual indicators of abnormality. These safety check for frame stress are important to prevent accidents, injury to the cyclist, and product failure of a YETI frameset.

## **DISCLAIMER**

YETI Cycles is not responsible for any damages to you or others arising from riding, transporting or other use of your bicycle. In the event that your frame breaks or malfunctions, YETI Cycles shall have no liability or obligation beyond the repair or replacement of your frame pursuant to the terms outlined in the warranty.

## **CONTACT INFO**

YETI Cycles  
600 Corporate Circle, Unit D  
Golden, CO 80401  
(p) 303-278-6909  
(f) 303-278-6906  
[WWW.YETICYCLES.COM](http://WWW.YETICYCLES.COM)

## **BUSINESS HOURS**

Monday-Friday  
8AM-11:30AM, 1:00PM-5:30PM  
(Mountain Time)